

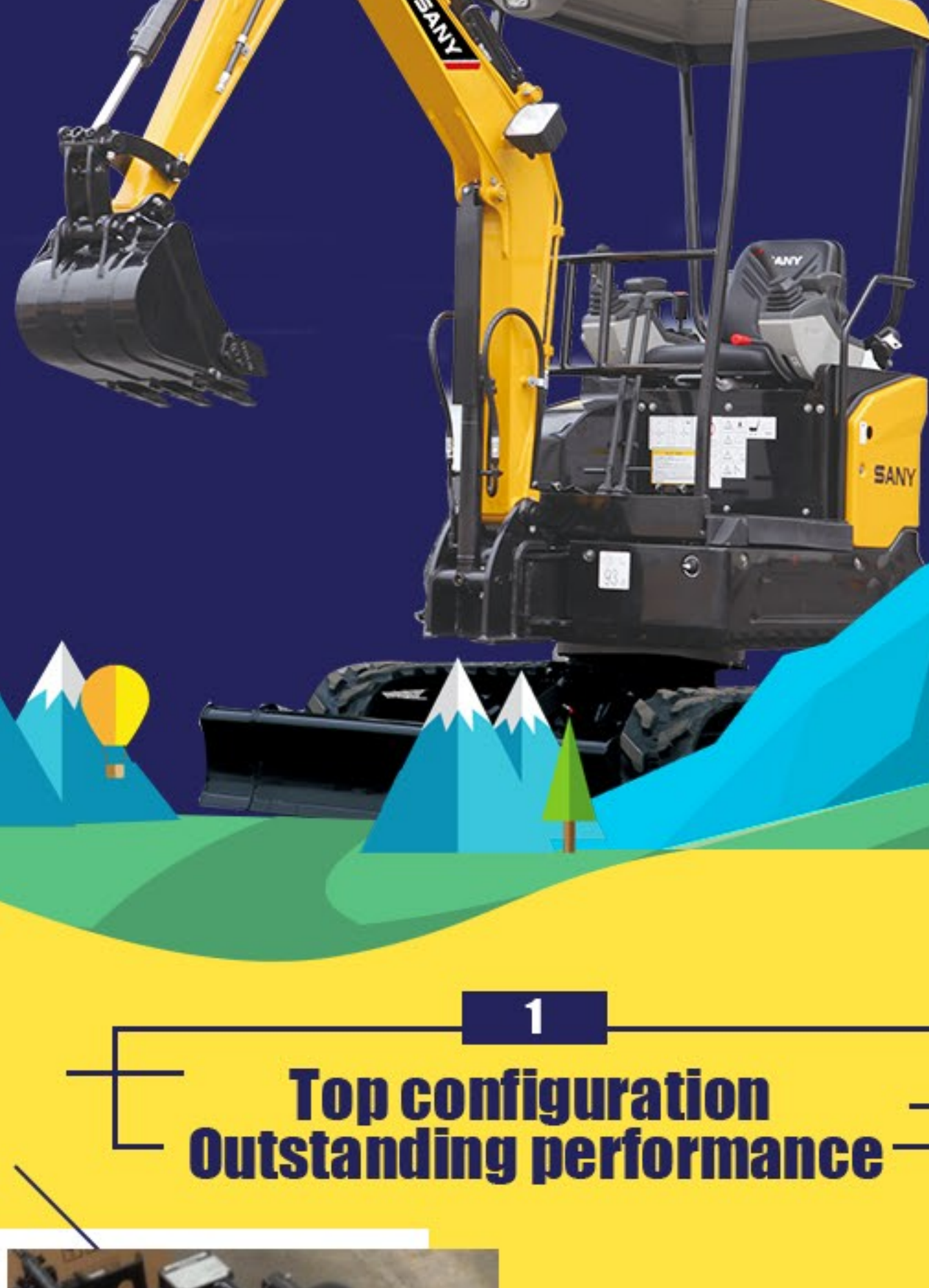


THE SECRET OF THE HOT SELLER SY16C

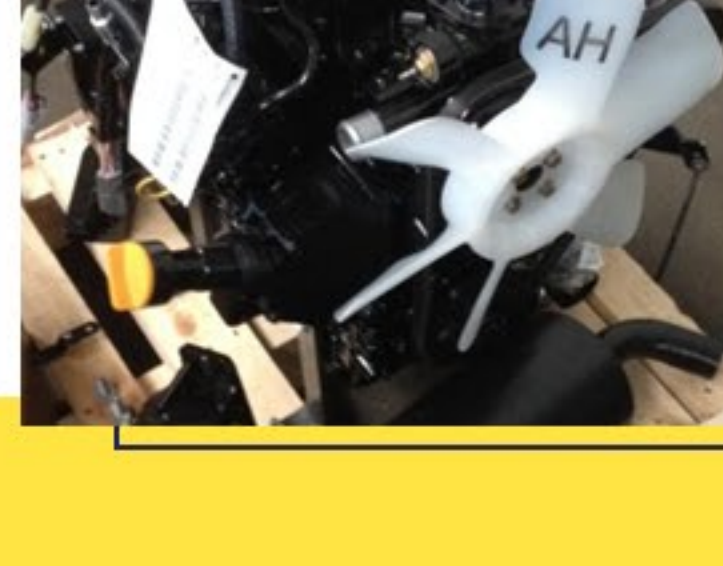
Operating weight
1820kg

Bucket capacity
0.04m³

Rated power
11.2/2400KW/rpm



1 Top configuration Outstanding performance



1 Yanmar Customized Engine ensures reliability in various working conditions

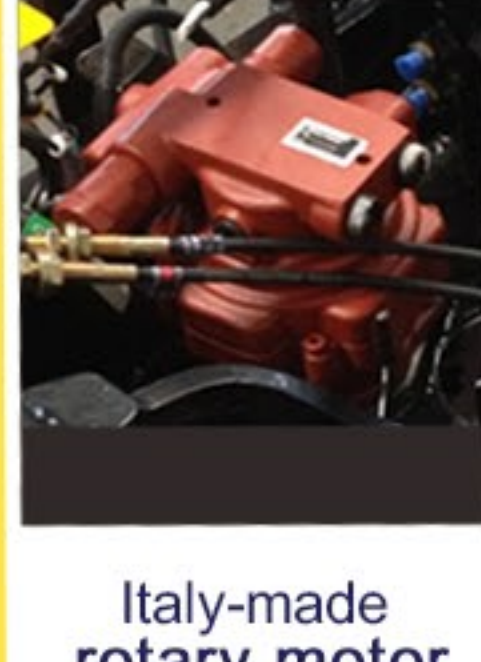
2 Italy-made main pump and main valve, Japan-made rotary motor and travel motor, ensure high reliability of hydraulic system



Italy-made main valve



Italy-made main pump



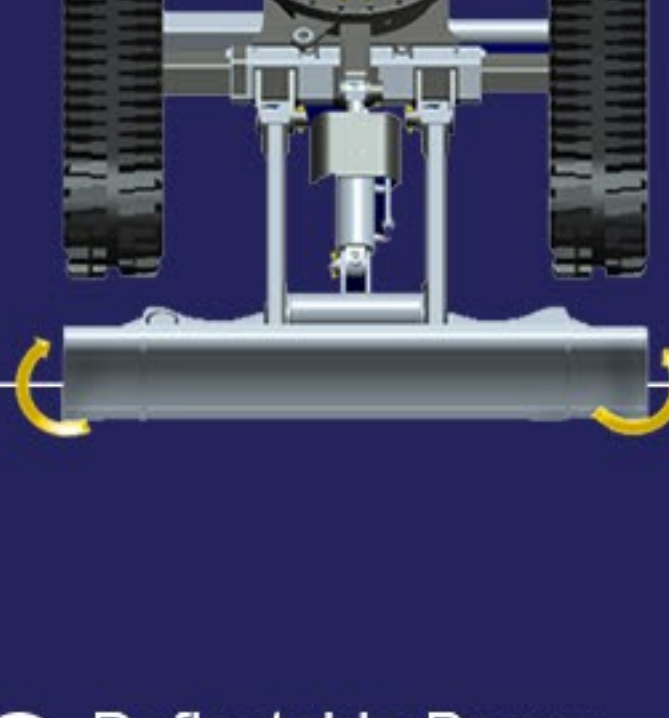
Italy-made rotary motor

3 Unique SLSS-Load Sensitive Hydraulic System realizes perfect synergism between the engine and the main pump, improving work efficiency and reducing fuel consumption.



2 Small but versatile

1 Transport length 3.575m, Transport width 1.35m, Transport height 2.42 m, suit for working in narrow spaces.



2 Retractable Undercarriage: Width adjustable between 980mm-1350mm

3 Deflectable Boom: SY16C boom swing left 600mm, right 350mm, able to reach outer edge of the track, and work in limited space such as near the wall and wall corner



4 Multifunctional: One/two-way switchable pipeline for standard equipment; available for various attachments including: Jackhammer, Hydraulic shear, Grapple etc.

3 Comfortable operation Easy maintenance



1 Two pedals in cab to free operator's hands make the operation easier.

2 Large Engine Hood: Easier way to be opened, enables the operator to complete daily maintenance on the ground.



3 The FOPS/TOPS certified SY16C ensures the safety for operators.



SY16C Specifications

Overall Dimensions	Standard
Transport length	3575 mm
Transport width	980/1350 mm
Upper width	980 mm
Blade height	270 mm
Std. track shoe width	230 mm
Track gauge	750/1120 mm
Min. ground clearance	180 mm
Tail swing radius	920 mm
Operation Range	Standard
Max. digging height	3665 mm
Max. dumping height	2635 mm
Max. digging depth	2360 mm
Max. vertical digging depth	2215 mm
Max. digging reach	4000 mm
Min. swing radius	1655 mm
Height at min.swing radius	2745 mm
Max.ground clearance of blade up	310 mm
Max.depth of blade down	320 mm
Performance	Standard
Operating weight	1820kg
Bucket capacity	0.04 m3
Rated power	11.2/2400kW/rpm
Travel speed	3.7/2.1 km/h
Swing speed	10 rpm
Gradeability	30°
Ground pressure	29.1 kPa
Bucket digging force	15.2 kN
Arm digging force	9.2 kN



Facebook: SANY Group